



PCS Electronics
www.pcs-electronics.com
info@pcs-electronics.com

UNIVERSAL LCD CONTROL MODULE V1.0

Assembly and operating instructions

Universal LCD control module is used to control all of our LCD-unit supporting products, which includes MAX PRO III, MAX PRO IV+, SE4 DSP+, AM MAX II and others. This document brings assembly instructions and gives some instructions related to operation of LCD control module. For product specific instructions please check particular product's user manual..

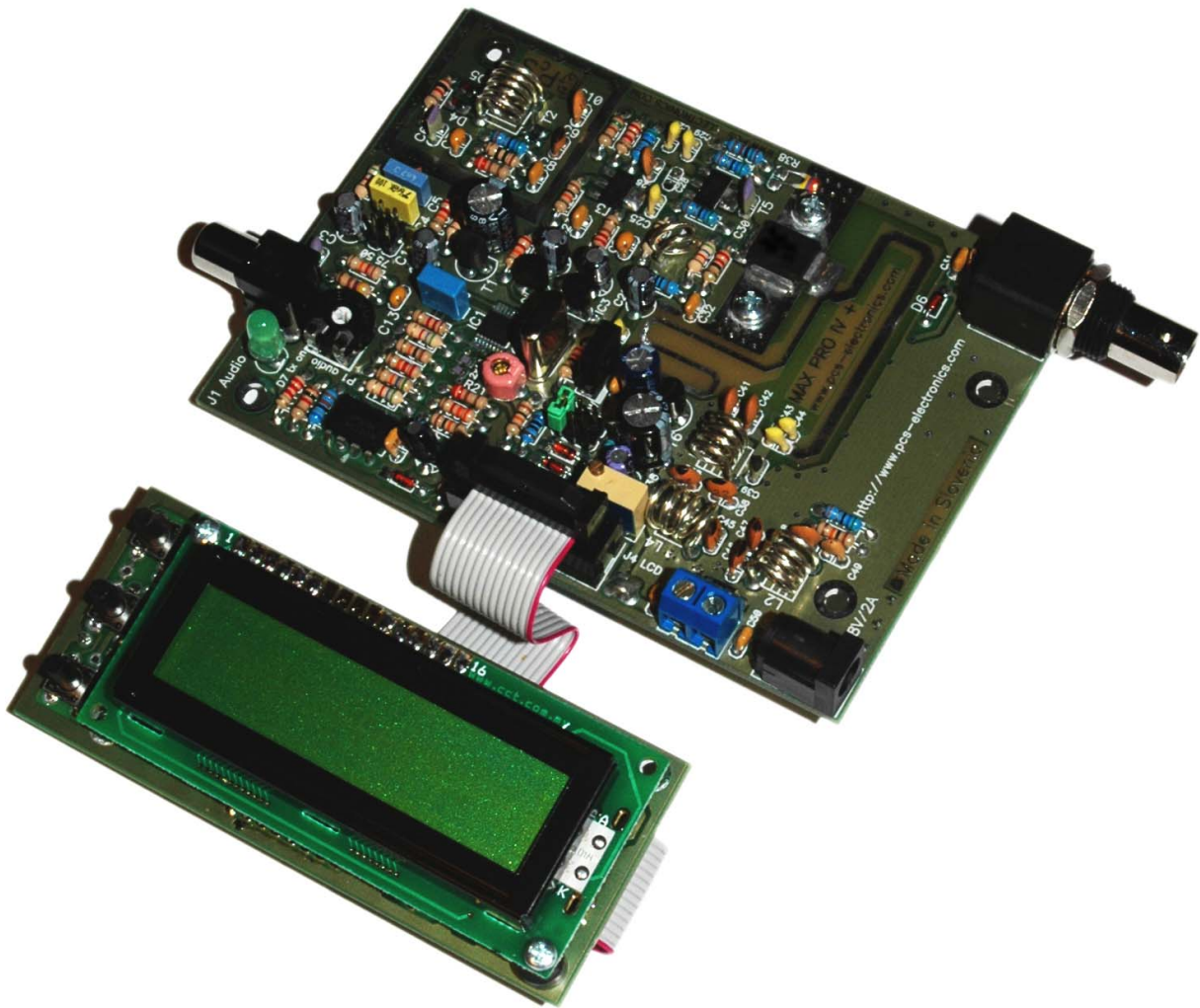


Fig. 1: UNIVERSAL LCD control module, in this particular case connected to MAX PRO IV+

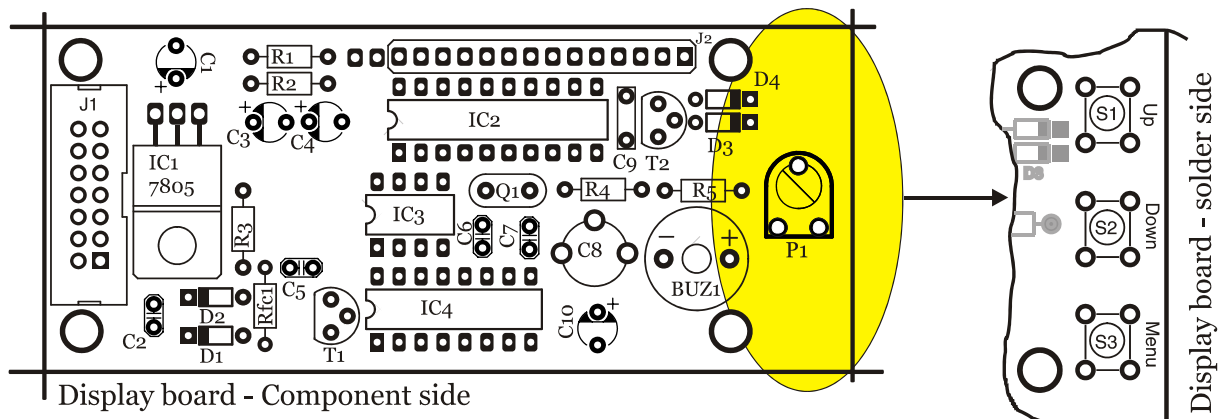
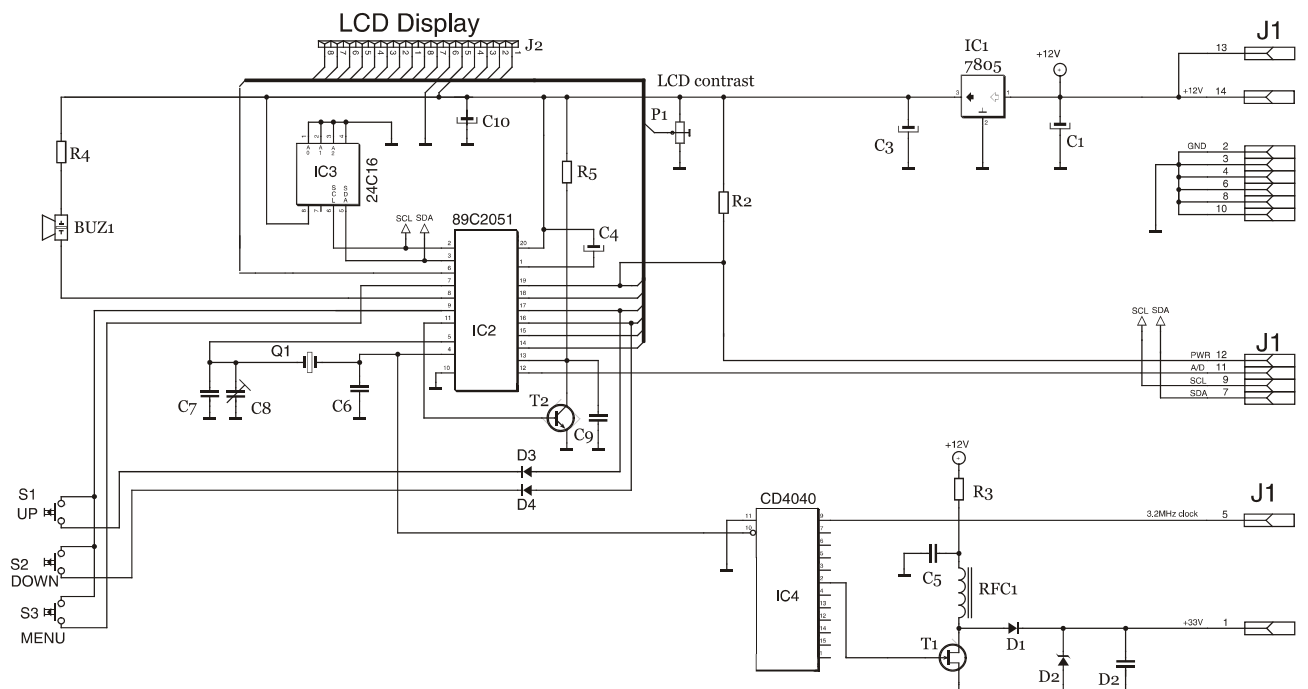


Figure 2: LCD control module board layout



DISPLAY BOARD - SCHEMATIC DIAGRAM

Figure 3: LCD control module board schematic

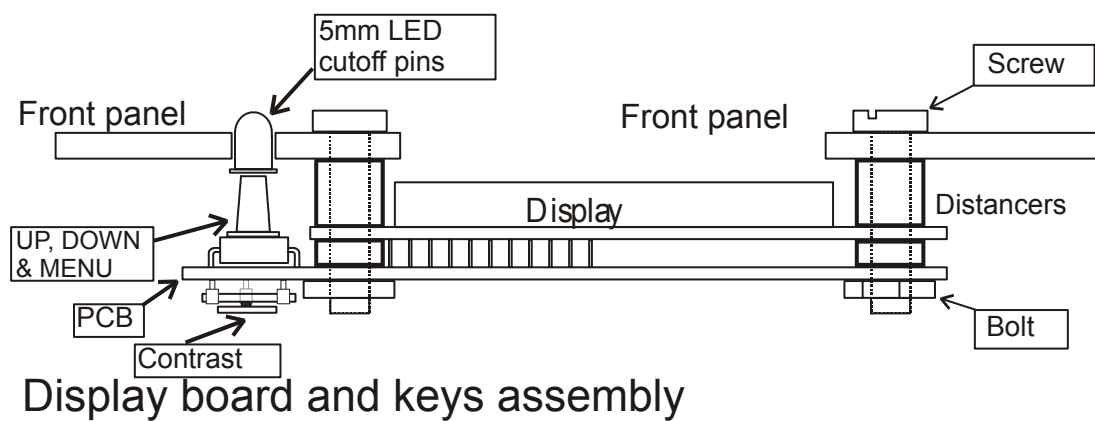
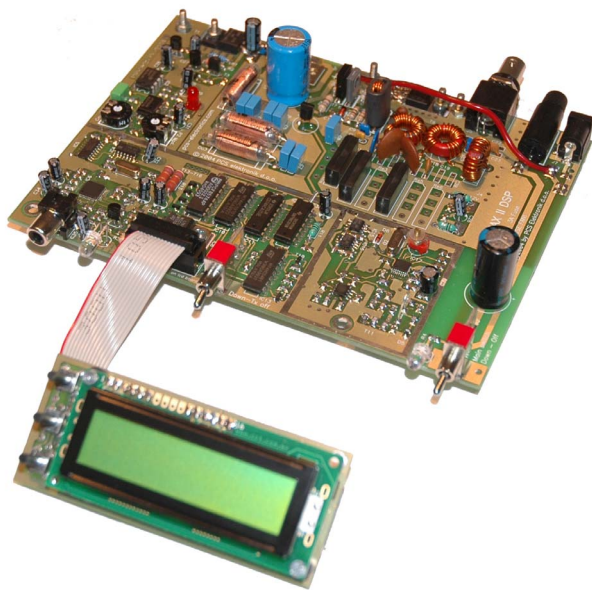


Fig 4: Installing the LCD control module to the enclosure

BILL OF MATERIALS FOR LCD CONTROL MODULE (for AM MAXII+)

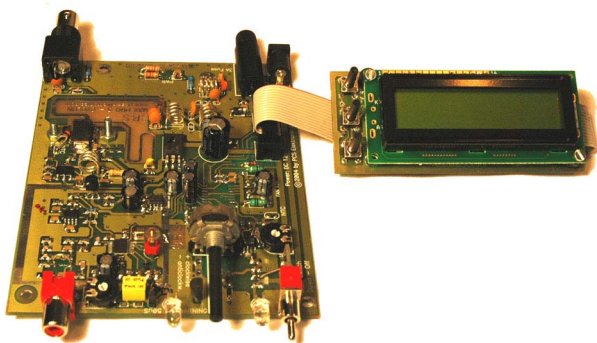
QTY	Value	Reference	Type
1	Beeper, small oval speaker	BUZ1	
1	7805	IC1	
1	89C2051 or 89C4051	IC2	
1	24C16	IC3	
1	74HC4040	IC4	
2	10uF – 47uF	C1, C3	
1	100nF (marked as 104)	C2	
1	0.47-1uF	C4	
1	100nF (marked as 104)	C5	
1	47pF (marked as 47p)	C6	
1	68pF (marked as 68p)	C7	
1	Not used	C8	
1	Not used	C9	
1	Flat cable	J1	
3	1N4148	D1,D3,D4	
1	Not used	D2	
1	LCD display, see pics for mounting	J2	
1	6.4MHz	Q1	
1	BS170 (reverse when using 2N7000)	T1	
1	Not used	T2	
3	Push button	S1, S2, S3	
1	10K trimmer resistor	P1	Set LCD contrast with P1
1	56 ohms	R1	Green, Blue, Black, Gold
1	1K	R2	Brown, Black, Red, Gold
1	330 ohms	R3	Orange, Orange, Brown, Gold
1	150 ohms	R4	Brown, Green, Brown, Gold
1	22K	R5	Red, Red, Orange, Gold
1	1000uH, looks like a greenish resistor	RFC1	Brown, Black, Red, Silver)
2	Bolts for LCD		Opposite corners
2	Screws for LCD		Opposite corners
2	Distancers for LCD		Opposite corners
1	PCB, 90x40mm		
1	IC socket, DIL 20	For IC2	

NOTE: Connect IC2 pins 11 and 12 (solder at the top of the socket)



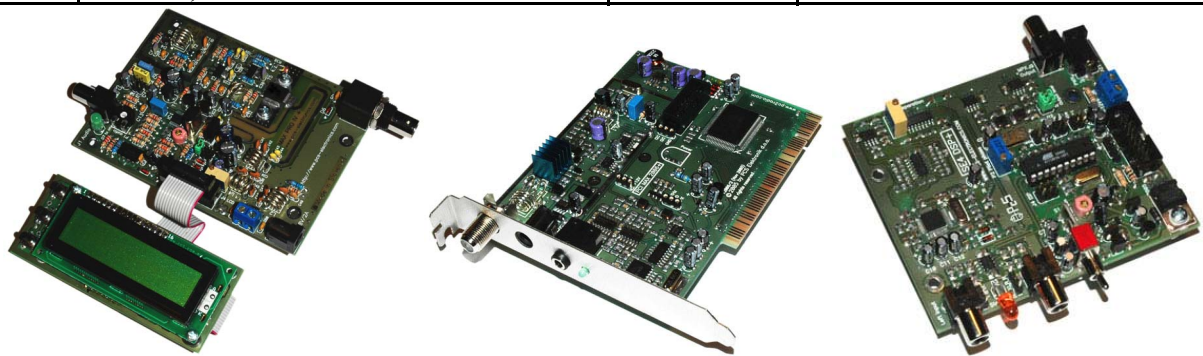
BILL OF MATERIALS FOR LCD CONTROL MODULE (for MAX PRO III)

QTY	Value	Reference	Type
1	Beeper, small oval speaker	BUZ1	
1	7805	IC1	
1	89C2051 or 89C4051	IC2	
1	24C16	IC3	
1	74HC4040	IC4	
2	10uF – 47uF	C1, C3	
1	100nF (marked as 104)	C2	
1	0.47-1uF	C4	
1	100nF (marked as 104)	C5	
1	47pF (marked as 47p)	C6	
1	68pF (marked as 68p)	C7	
1	Not used	C8	
1	Not used	C9	
1	Flat cable	J1	
3	1N4148	D1,D3,D4	
1	Not used	D2	
1	LCD display, see pics for mounting	J2	
1	6.4MHz	Q1	
1	BS170 (reverse when using 2N7000)	T1	
1	Not used	T2	
3	Push button	S1, S2, S3	
1	10K trimmer resistor	P1	Set LCD contrast with P1
1	56 ohms	R1	Green, Blue, Black, Gold
1	1K	R2	Brown, Black, Red, Gold
1	330 ohms	R3	Orange, Orange, Brown, Gold
1	150 ohms	R4	Brown, Green, Brown, Gold
1	22K	R5	Red, Red, Orange, Gold
1	1000uH, looks like a greenish resistor	RFC1	Brown, Black, Red, Silver)
2	Bolts for LCD		Opposite corners
2	Screws for LCD		Opposite corners
2	Distancers for LCD		Opposite corners
1	PCB, 90x40mm		
1	IC socket, DIL 20	For IC2	




BILL OF MATERIALS FOR LCD CONTROL MODULE (MAXPRO 3+, MAXPRO 4+, SE4 DSP+, PCI MAX 2006+)

QTY	Value	Reference	Type
1	Beeper, small oval speaker	BUZ1	
1	7805	IC1	
1	89C2051 or 89C4051	IC2	
1	24C16	IC3	
1	Not used	IC4	
2	10uF – 47uF	C1, C3	
1	Not used	C2	
1	0.47-1uF	C4	
1	Not used	C5	
1	47pF (marked as 47p)	C6	
1	68pF (marked as 68p)	C7	
1	Not used	C8	
1	Not used	C9	
1	Flat cable	J1	
3	1N4148	D3,D4	
1	Not used	D1, D2	
1	LCD display, see pics for mounting	J2	
1	6.4MHz	Q1	
1	Not used	T1	
1	Not used	T2	
3	Push button	S1, S2, S3	
1	10K trimmer resistor	P1	Set LCD contrast with P1
1	56 ohms	R1	Green, Blue, Black, Gold
1	1K	R2	Brown, Black, Red, Gold
1	Not used	R3	Orange, Orange, Brown, Gold
1	150 ohms	R4	Brown, Green, Brown, Gold
1	22K	R5	Red, Red, Orange, Gold
1	Not used	RFC1	Brown, Black, Red, Silver)
2	Bolts for LCD		Opposite corners
2	Screws for LCD		Opposite corners
2	Distancers for LCD		Opposite corners
1	PCB, 90x40mm		
1	IC socket, DIL 20	For IC2	



ALSO AVAILABLE FROM PCS ELECTRONICS


Choose your own frequency  **PCS ELECTRONICS**
www.pcs-electronics.com

89.7 89.9 90.1 *MyMusic* 90.5 90.7

Turn your PC into a Radio Station !
Simply plug a card into your PC and you're ready to broadcast! Lets you control output power and frequency with a simple click of the mouse! Broadcast Mp3s across your yard, gallery, or use it as a small scale community radio.

with PC-MAX ULTRA
the latest from the makers of the world's 1st commercially available FM broadcasting PC transmitter!

This is not all we offer! We also currently stock amplifiers, high-quality links, transmitters, frequency meters, antennas, filters, power supplies, coaxial cable and even some HAM equipment. Sign up for a newsletter to receive special deals and discounts. **check prices and place your order online.**



Omni-directional and directional antennas, 15/40/150/300/750W amplifiers, RDS encoders, Stereo encoders, DSP processors, studio equipment, PLL PC based and stand-alone FM transmitters, AM transmitters and much much more...

Check [HTTP://www.pcs-electronics.com](http://www.pcs-electronics.com) today!

THANK YOU FOR PURCHASING OUR PRODUCTS!

We hope you'll enjoy it as much as we do and remember to tell your friends about it. From all of us we wish you happy broadcasting!

Your PCS Electronics team
www.pcs-electronics.com